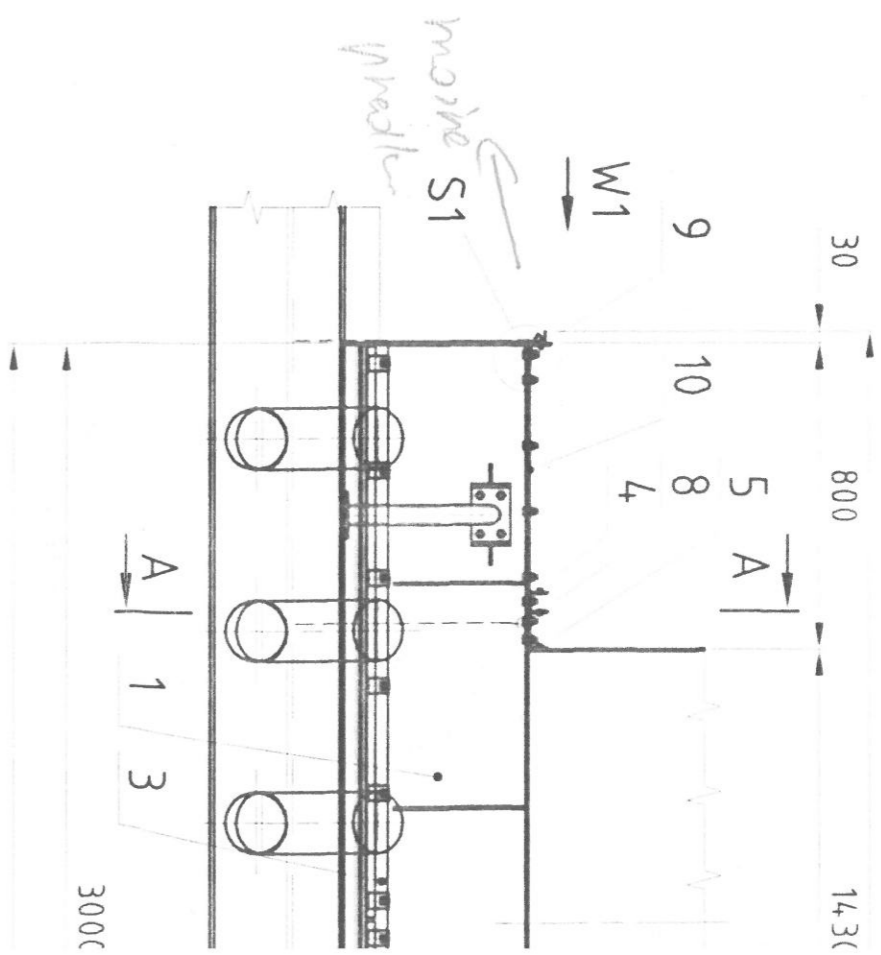
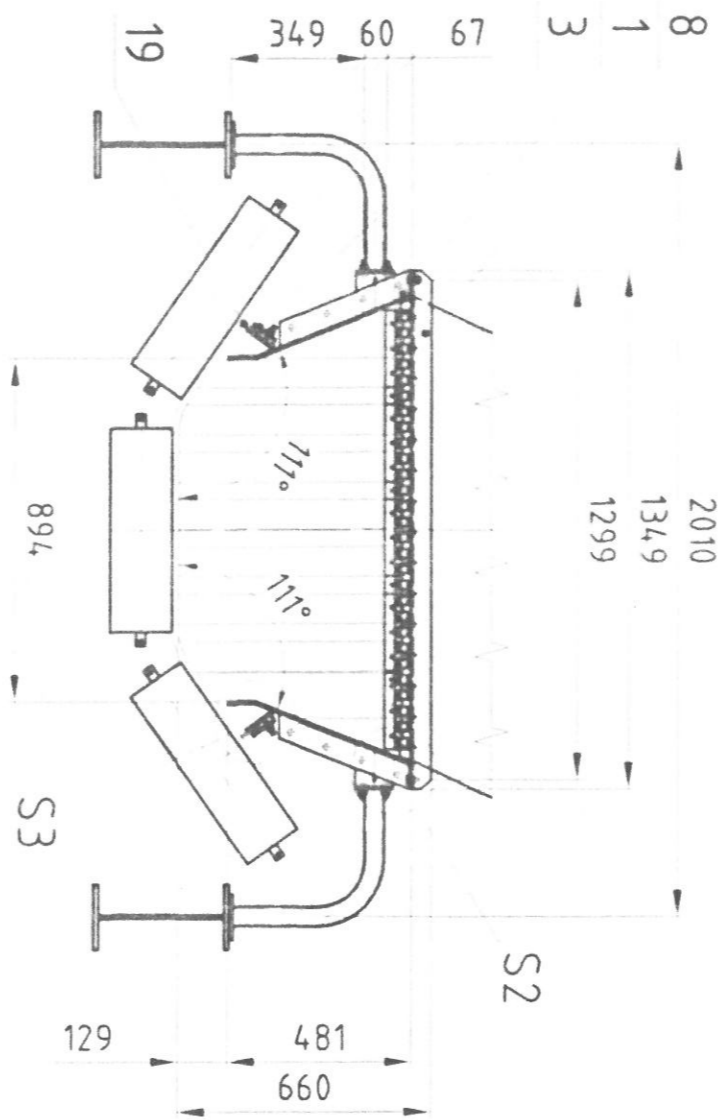


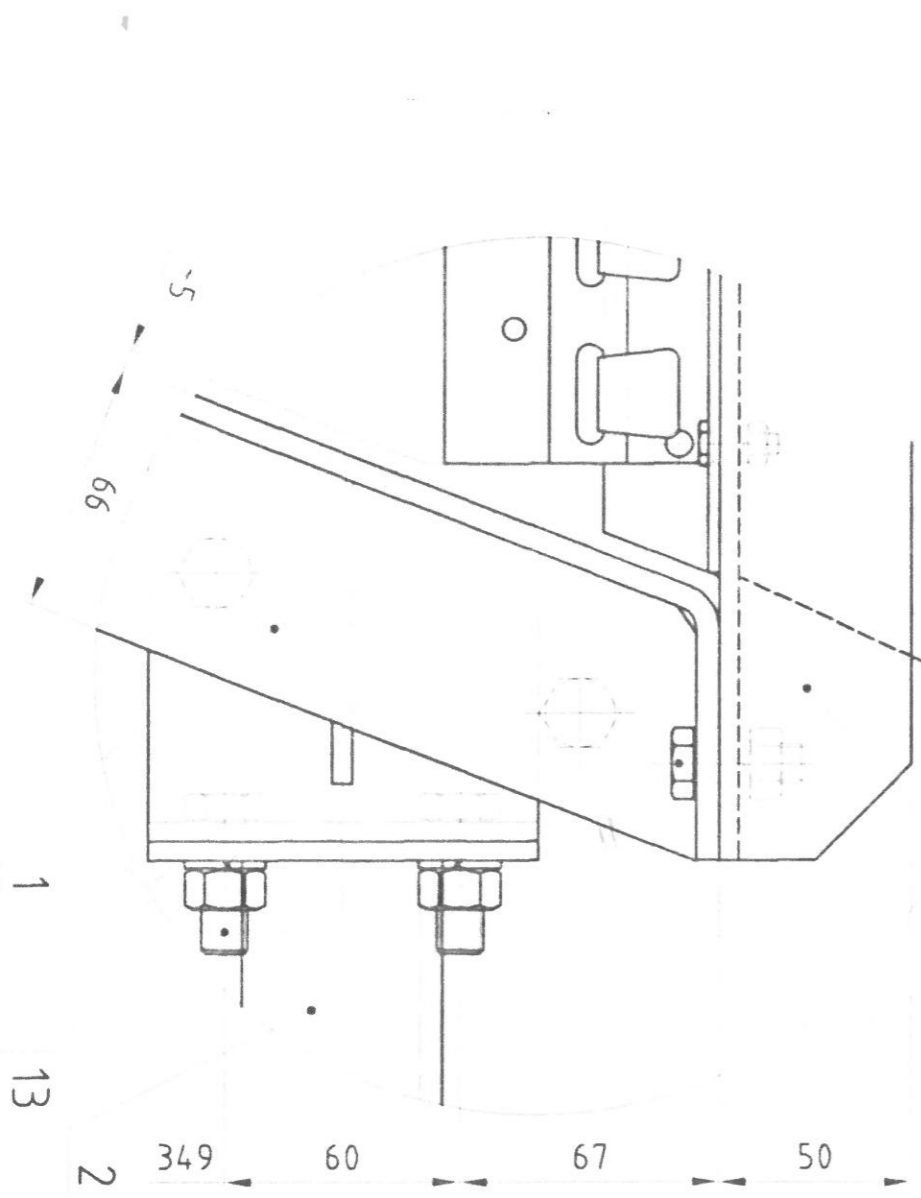
A-A



S1 (1:2)

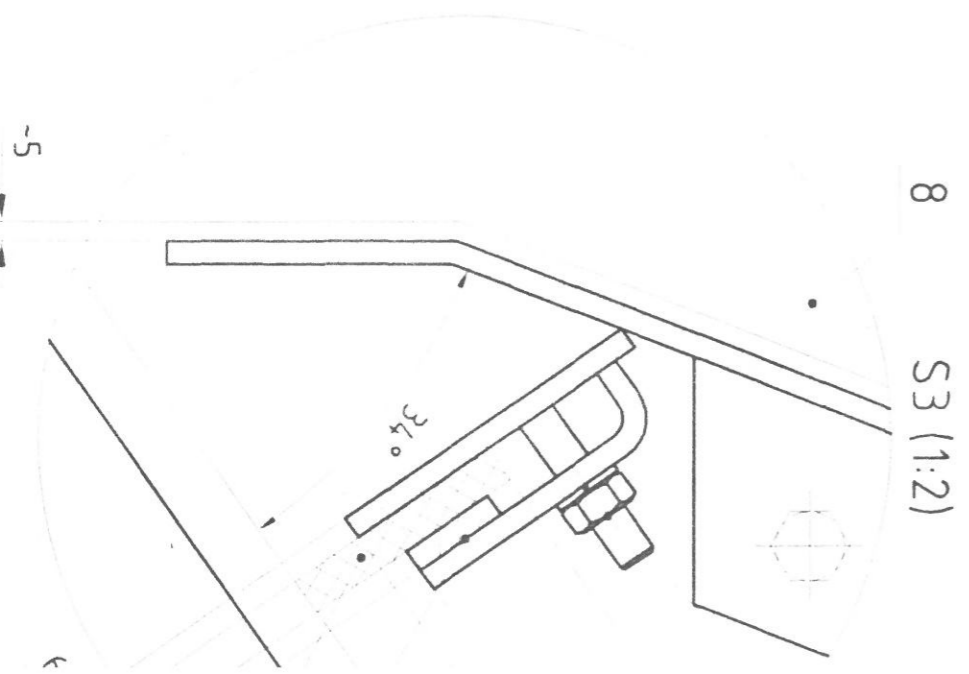
S2 (1:2)

- 18
- 17
- 16



S3 (1:2)

- 13
- 14
- 15



S1 (1:2)